

AK

Screw branch clamp Al-Cu

for cast resin straight-through and branch joints, for low voltage

Suitable for connecting and branching aluminium and copper conductors.

Characteristics

- Brass clamp tin-plated
- Divisible
- Halogen-free

Standards

- EN 60998 -2-1:2004

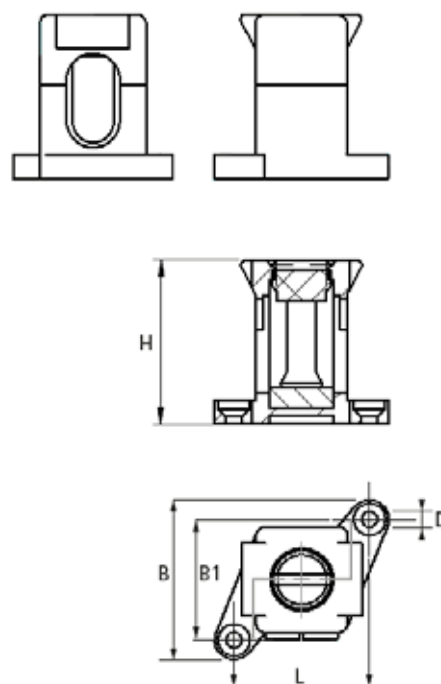
Scope of delivery

Screw branch clamp

Note: Separable, main cable must not be cut.



Dimensions



Type	H mm	B mm	B1 mm	L mm	D mm
AK 6	16.75	29	15	21	3,2
AK 10	22.75	31	18	23	3,2
AK 16	26.25	32	21	24	3,2
AK 25-35	34	36	25	28	3,2

Type	PU Piece	Solid cable max. Nominal cross section mm ²		Stranded cable max. Nominal cross section mm ²		Tightening torque Nm	Art.-No.
		Main cable	Branch cable	Main cable	Branch cable		
AK 6	12	2.5 - 6	2.5 - 6	2.5 - 4	2.5 - 4	0,8	422460
AK 10	12	4 - 10	4 - 10	4 - 6	4 - 6	1,2	422461
AK 16	12	6 - 16	6 - 16	4 - 10	4 - 10	2,5	422462
AK 25-35	12	16 - 35	16 - 35	10 - 25	10 - 25	2,5	422463