

---

# Emergency stop rope pull switches XY2C range

## Catalogue



Simply easy!™



# Emergency stop rope pull switches XY2C range

---

## Emergency stop rope pull switches XY2CJ, XY2CH, XY2CE and XY2CED

- **General**
  - Presentation ..... [page 2](#)
  - Installation ..... [page 3](#)
  - Basic principles ..... [page 3](#)
  - Rope pull expansion or contraction ..... [page 4](#)
  - Standards ..... [page 4](#)
  - Adjustment values with end spring ..... [pages 4 and 5](#)
- **Characteristics** ..... [pages 6 and 7](#)
- **References**
  - Emergency stop rope pull switches with single anchor point ..... [pages 8 to 10](#)
  - Emergency stop rope pull switches with double anchor point ..... [page 11](#)
  - Separate parts ..... [pages 12 and 13](#)
  - Mounting kits ..... [page 14](#)
  - Replacement parts ..... [page 15](#)
- **Dimensions** ..... [pages 16 and 17](#)
- **Product reference index** ..... [page 18](#)

# Safety detection solutions

## Emergency stop rope pull switches

### XY2C range

#### Emergency stop rope pull switches

Emergency stop rope pull switches are designed to:

- avert hazards (dangerous phenomena) at the earliest possible moment, or to reduce risks which could cause injury to persons or damage either to machines or work in progress
- be tripped by a single human action when a normal emergency stop function is not available
- trip in the event of the rope pull breaking

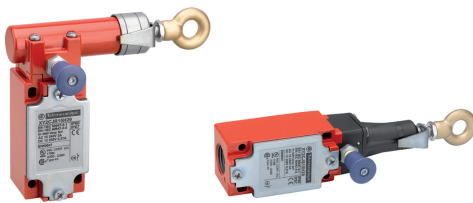
Emergency stop rope pull switches are essential in premises and on machines that are potentially dangerous when operating. The operator must be able to trigger the stop instruction at any point within their working area.

**Application examples:** woodworking machines, shears, conveyor systems, printing machines, textile machines, rolling mills, test laboratories, paint shops, surface treatment works, etc.

#### XY2CJ, XY2CH and XY2CE emergency stop rope pull switches with single anchor point

- > 20 to 70 m cable
- > Rugged, compact offer, UL NiSD certified
- > Simple installation and maintenance using dedicated accessories (pilot light, quick tensioner, and cable tension indicator)

UL NiSD certified



XY2CJ compact range



#### XY2CED emergency stop rope pull switches with double anchor points

- > Long cable (up to 2 x 100 m with supports and pulleys)
- > Rugged offer, UL NiSD certified
- > Easy mounting with aid of simple, dedicated accessories (removable shim for adjusting cable tension, quick tensioner, cable tension indicator, etc.)

2 x 100 m max. cable



XY2CED range with double anchor points



+ Certified, rugged safety devices that are easy to install

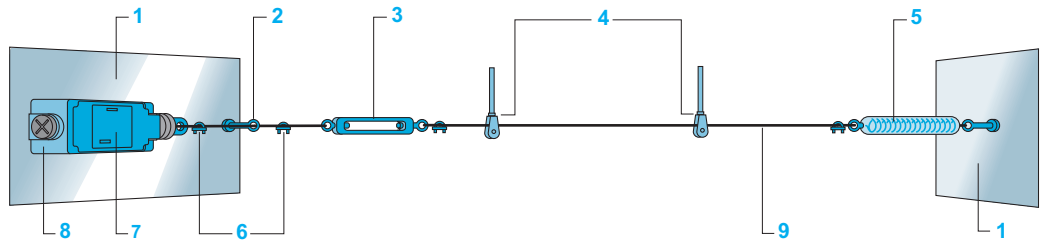
# Safety detection solutions

## Emergency stop rope pull switches

### XY2C range

#### Installation

##### Description of a typical installation for XY2CJ, XY2CH and XY2CE (1)

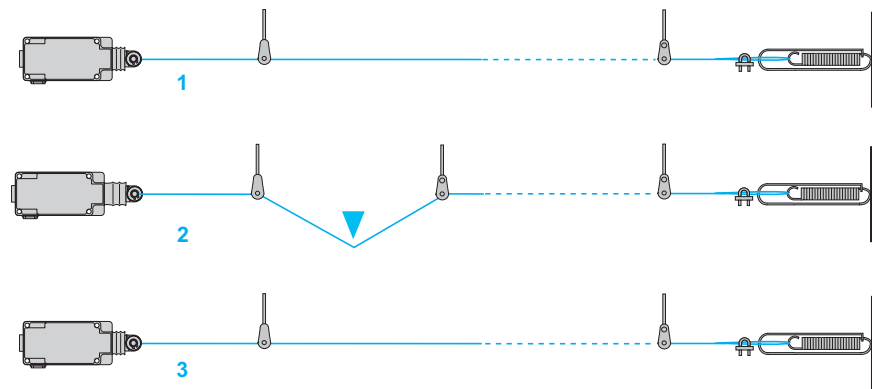


- |                       |                               |                     |
|-----------------------|-------------------------------|---------------------|
| 1 Mounting support    | 4 Pulleys and pulley supports | 7 Switch adjustment |
| 2 First cable support | 5 End spring                  | 8 Emergency stop    |
| 3 Turnbuckle          | 6 Cable grips                 | 9 Cable             |

##### Notes regarding installation

- XY2CJ, XY2CH, XY2CE and XY2CED emergency stop rope pull switches can be fitted with trip indicators (mechanical indicators for XY2CJ, pilot lights for XY2CH, XY2CE and XY2CED).
- The cable tension can be adjusted using:
  - a turnbuckle to be ordered separately (see [page 12](#))
  - a quick tensioner integrated in XY2CH emergency stop rope pull switches and optional for XY2CJ, XY2CE and XYCED emergency stop rope pull switches
- This adjustment is simplified by:
  - a cable tension indicator that is available on XY2CJ, XY2CH and XY2CE models. XY2CE emergency stop rope pull switches incorporate a cable tension indicator that is visible with the cover open. There is also an optional version with a window for viewing the cable tension, so that it can be adjusted when the cover is closed (excludes XY2CED models).
- For XY2CED emergency stop rope pull switches with double anchor points, the cable tension is visible on both end springs. A removable adjustment shim can be used to preset the balance between the left and right anchor points. The end springs and shim are supplied with the product.
- The use of an end spring is mandatory for conveyor system applications to allow operation of the emergency stop in the event of the cable being pulled towards the switch.
- For XY2CED switches, use of the model-specific end springs is mandatory, regardless of the application.
- It is essential that pulleys be used with cables that deviate from a straight run (within the permissible angles. Refer to the mounting instructions).

#### Basic principles



- |                                                           |   |                                                                                                                                                                                                                         |
|-----------------------------------------------------------|---|-------------------------------------------------------------------------------------------------------------------------------------------------------------------------------------------------------------------------|
| <b>Positive operation:</b> running condition              | 1 | The switches incorporate positive opening operation contacts, the tripping of the switch being made with positive action.                                                                                               |
| <b>Latching:</b> stop instruction given (tripped)         | 2 | The switch latches in the tripped position (NC safety contact(s) open). The function of the NO contact is purely for signaling.                                                                                         |
| <b>Resetting:</b> stop condition (awaiting reset/restart) | 3 | The switches incorporate a reset button, which re-closes the safety contact. The machine must only be restarted by manual operation of a control device within the machine start circuit, remote to the emergency stop. |

(1) See the description of a typical XY2CED installation on our website [www.tesensors.com](http://www.tesensors.com)

# Safety detection solutions

## Emergency stop rope pull switches

### XY2C range

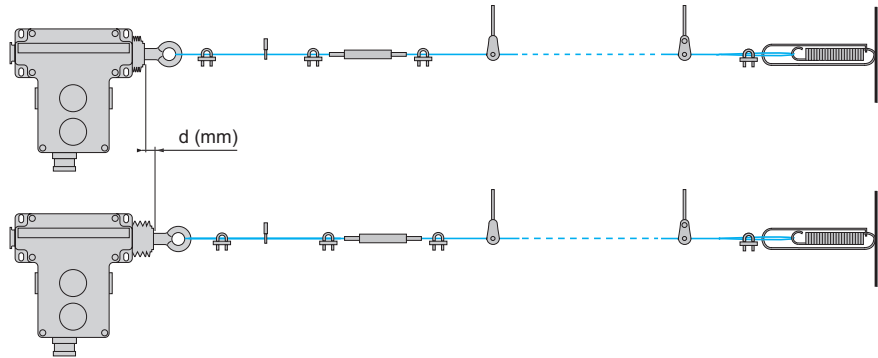
#### Rope pull expansion or contraction: d

This is the expansion or contraction of the rope pull cable. Temperature variations encountered on site are mainly responsible for these variations in length.

To enable instant verification that the rope pull is at its correct tension (and make any necessary adjustments), XY2CJ, XY2CH, and XY2CE emergency stop rope pull switches incorporate a cable tension indicator.

XY2CE emergency stop rope pull switches incorporate a cable tension indicator that is visible with the cover open. They are also available with a window for viewing the cable tension, enabling instant verification that the rope pull is at its correct tension (and to allow any necessary adjustments to be made) (excludes XY2CED models).

For XY2CED, the cable tension indicator is visible on the model-specific end springs supplied with the product.



#### Standards

XY2CJ, XY2CH, XY2CE, and XY2CED switches meet the requirements of the harmonized European standard **EN/ISO 13850**, relating to "Emergency stop devices". The switches are **CE** marked and supplied with an EC declaration of conformity.

#### Cable diameter

In order to achieve the maximum cable length, according to ambient temperature variation, we recommend use of:

- galvanized cables with red sheath, diameter 3.2 mm for XY2CJ and XY2CH ranges
- galvanized cables with red sheath, diameter 5 mm for XY2CE and XY2CED ranges (see [page 12](#))

#### Adjustment values with end spring

For XY2CE emergency stop rope pull switches, the adjustment values depend on the positions of the cam located inside the switch. The adjustment is made by rotating the cam after the switch has been installed.

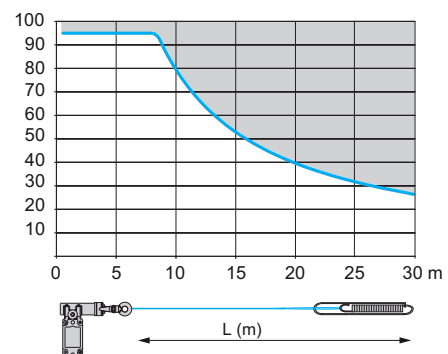
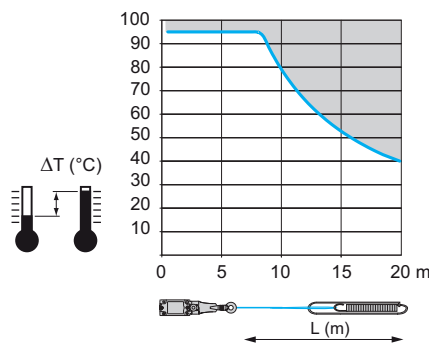
Each notched cam position is referenced by the letters A to F and the selected letter is visible through a viewing window.

The use of end springs is strongly advised (mandatory for XY2CED).

The references for each type are given in the table below:

| Type              | Cam position     | Maximum cable length                                             | End spring                                         |
|-------------------|------------------|------------------------------------------------------------------|----------------------------------------------------|
| XY2CJS            | –                | 20 m                                                             | XY2CZ703                                           |
| XY2CJR and XY2CJL | –                | 30 m                                                             | XY2CZ703                                           |
| XY2CH             | –                | 30 m                                                             | XY2CZ703                                           |
| XY2CE             | A, B, C, D, E, F | 70 m                                                             | XY2CZ702                                           |
| XY2CED            | –                | 2 X 100 m (with pulleys)<br>2 x 70 m (with fixed cable supports) | XY2CZ712 (2 end springs supplied with the product) |

#### XY2CJ



■ : Prohibited zone

With the graphs above, if we consider an ambient temperature variation of 25 °C, for example from 0 °C to + 25 °C, the table gives us a maximum cable length of 20 m for XY2CJS and 30 m for XY2CJR and XY2CJL.

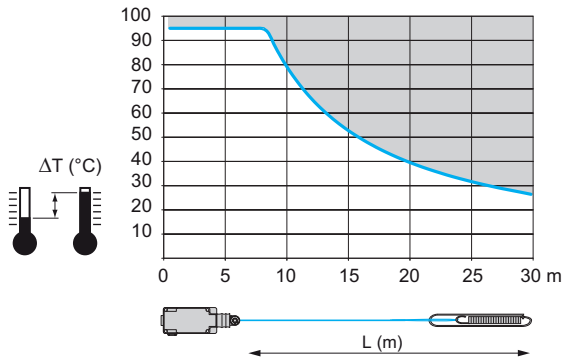
# Safety detection solutions

## Emergency stop rope pull switches

### XY2C range

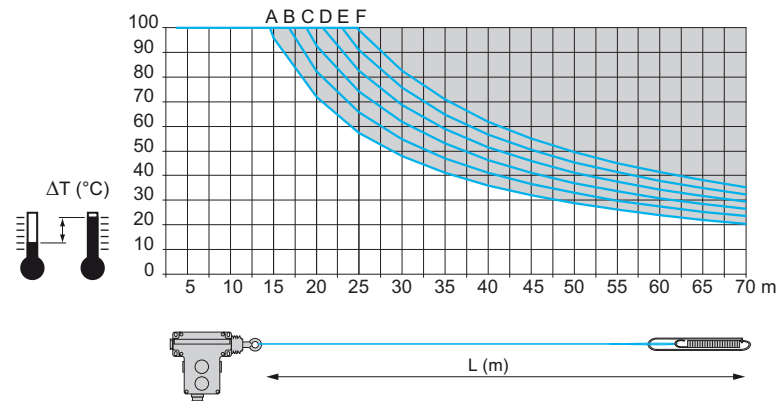
Adjustment values with end spring (continued)

#### XY2CH



With the graph above, if we consider an ambient temperature variation of 25 °C, for example from 0 °C to +25 °C, the table gives us a maximum cable length of 30 m.

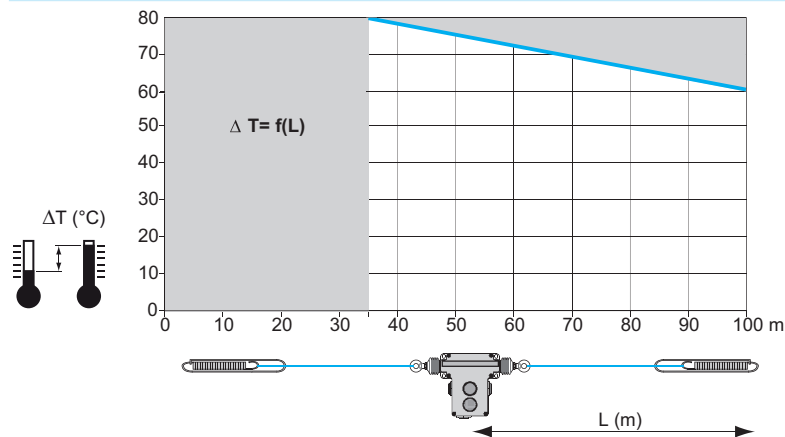
#### XY2CE



With the graph above, if we consider an ambient temperature variation of 35 °C, for example from -10 °C to +25 °C, the table gives us a maximum cable length of:

- 40 m, with cam A adjustments
- 70 m, with cam F adjustments

#### XY2CED



: Prohibited zone

With the graph above, if we consider an ambient temperature variation of 65 °C, the maximum cable length on each side will be 85 m (2 x 85 m).

# Safety detection solutions

## Emergency stop rope pull switches

### XY2C range

| Environment                               |                    |                                                                                                                                                                                                                                                             |
|-------------------------------------------|--------------------|-------------------------------------------------------------------------------------------------------------------------------------------------------------------------------------------------------------------------------------------------------------|
| Conforming to standards                   | Products           | EN/IEC 60947-5-5, EN/ISO 13850, UL 508 and CSA C 22-2 no. 14                                                                                                                                                                                                |
|                                           | Machine assemblies | EN/IEC 60204-1, Machinery directive: 2006/42/EC<br>Work equipment directive: 2009/104/EC                                                                                                                                                                    |
| Product certifications                    |                    | <b>XY2CJ</b> : UL (NISD) - CSA, CCC, EAC<br><b>XY2CH</b> : UL (NISD) (1) - CSA (with suffix H7) (1), EAC, CCC (1)<br><b>XY2CE, XY2CED</b> : UL (NISD) - CSA, EAC, CCC                                                                                       |
| Maximum safety level (2)                  |                    | PL e, category 4 conforming to EN/ISO 13849-1 and SIL CL3 conforming to EN/IEC 62061                                                                                                                                                                        |
| Reliability data B <sub>10d</sub>         |                    | <b>XY2CJ</b> : 500,000<br><b>XY2CH</b> : 4,000,000<br><b>XY2CE, XY2CED</b> : 300,000<br>(Values given for a service life of 20 years but may be limited by contact and mechanical wear)                                                                     |
| Ambient air temperature                   | For operation      | - 25...+ 70 °C<br>(- 40...+ 70 °C for <b>XY2CH, XY2CE</b> and <b>XY2CED</b> with booted reset pushbutton and silicone bellows) (3)                                                                                                                          |
|                                           | For storage        | - 40...+ 70 °C                                                                                                                                                                                                                                              |
| Vibration resistance                      |                    | <b>XY2CJ, XY2CH</b> : 10 gn (10...150 Hz)<br><b>XY2CE, XY2CED</b> : 10 gn (10...300 Hz) conforming to EN/IEC 60068-2-6                                                                                                                                      |
| Shock resistance                          |                    | <b>XY2CJ, XY2CH, XY2CE</b> : 50 gn (duration 11 ms) conforming to EN/IEC 60068-2-27<br><b>XY2CED</b> : 35 gn (duration 11 ms) conforming to EN/IEC 60068-2-27                                                                                               |
| Electric shock protection                 |                    | Class I conforming to IEC 61140                                                                                                                                                                                                                             |
| Degree of protection                      |                    | <b>XY2CJ</b> : IP 66 and IP 67 conforming to IEC 60529<br><b>XY2CH, XY2CE</b> : IP 65 conforming to IEC 60529 (IP 66 for <b>XY2CE●A●●●, Y2CE●C●●●</b> )<br><b>XY2CED</b> : IP 66 conforming to IEC 60529                                                    |
| Materials                                 |                    | <b>XY2CJS</b> : Zamak body, polyamide head, zinc-plated steel cover<br><b>XY2CJL, XY2CJR</b> : Zamak body and head, zinc-plated steel cover<br><b>XY2CH, XY2CE, XY2CED</b> : Zamak body, stainless steel cover                                              |
| Mechanical life (no. of operating cycles) |                    | <b>XY2CJ</b> : 100,000<br><b>XY2CH</b> : 800,000<br><b>XY2CE, XY2CED</b> : 60,000                                                                                                                                                                           |
| Length of protected zone                  |                    | <b>XY2CJS</b> : ≤ 20 m<br><b>XY2CJR and XY2CJL</b> : ≤ 30 m<br><b>XY2CH</b> : ≤ 30 m<br><b>XY2CE</b> : ≤ 70 m<br><b>XY2CED</b> : ≥ 2 x 35 m to 2 x 100 m                                                                                                    |
| Distance between cable supports           |                    | <b>XY2CJ, XY2CH, XY2CE</b> : 5 m<br><b>XY2CED</b> : 3 to 5 m                                                                                                                                                                                                |
| Cable entries                             |                    | <b>XY2CJ, XY2CH</b> : Tapped entries for ISO M20, Pg 13.5 or 1/2" NPT cable gland<br><b>XY2CE, XY2CED</b> : Untapped entries for ISO M20 or Pg 13.5 cable gland, tapped entries for 1/2" NPT cable gland<br><br>See dimensions on <a href="#">page 16</a> . |

(1) Only **XY2CH** products without pilot light are approved.

(2) When the emergency stop rope pull switch is used with an appropriate and correctly connected control system. Only models with 2 NC contacts can be used with an emergency stop monitoring safety relay.

(3) **XY2CH, XY2CE** and **XY2CED** with booted reset pushbutton and silicone bellows are designed for switching in a maximum operating temperature range of -40°C to 70°C / -40°F to 158°F. The emergency stop rope pull switch is only one component of the entire installation, the proper operation of the overall equipment must be checked regularly.

In case of particularly harsh environmental conditions, additional protection devices shall be implemented.



# Safety detection solutions

## Emergency stop rope pull switches

### XY2C range

| Contact block characteristics                                                             |                             |                                                                                                                                                                                                                                                                                                                                                                                                  |           |           |    |     |           |    |    |     |    |   |    |   |   |    |   |   |   |   |
|-------------------------------------------------------------------------------------------|-----------------------------|--------------------------------------------------------------------------------------------------------------------------------------------------------------------------------------------------------------------------------------------------------------------------------------------------------------------------------------------------------------------------------------------------|-----------|-----------|----|-----|-----------|----|----|-----|----|---|----|---|---|----|---|---|---|---|
| Rated operational characteristics                                                         | 2-pole contact block        | <b>XY2CJ, XY2CH, XY2CE, XY2CED:</b><br>AC-15: A300 or Ue = 240 V, Ie = 3 A<br>DC-13: Q300 or Ue = 250 V, Ie = 0.27 A, conforming to EN/IEC 60947-5-1 Appendix A                                                                                                                                                                                                                                  |           |           |    |     |           |    |    |     |    |   |    |   |   |    |   |   |   |   |
|                                                                                           | 3-pole contact block        | <b>XY2CJ, XY2CH:</b><br>AC-15: B300 or Ue = 240 V, Ie = 1.5 A<br>DC-13: R300 or Ue = 250 V, Ie = 0.1 A, conforming to EN/IEC 60947-5-1 Appendix A                                                                                                                                                                                                                                                |           |           |    |     |           |    |    |     |    |   |    |   |   |    |   |   |   |   |
| Nominal thermal current                                                                   | 2-pole contact block        | 10 A                                                                                                                                                                                                                                                                                                                                                                                             |           |           |    |     |           |    |    |     |    |   |    |   |   |    |   |   |   |   |
|                                                                                           | 3-pole contact block        | 6 A                                                                                                                                                                                                                                                                                                                                                                                              |           |           |    |     |           |    |    |     |    |   |    |   |   |    |   |   |   |   |
| Rated insulation voltage                                                                  | 2-pole contact block        | <b>XY2CJ, XY2CH, XY2CE, XY2CED:</b> Ui = 500 V degree of pollution 3 conforming to EN/IEC 60947-1, Ui = 300 V conforming to UL 508, CSA C22-2 no. 14                                                                                                                                                                                                                                             |           |           |    |     |           |    |    |     |    |   |    |   |   |    |   |   |   |   |
|                                                                                           | 3-pole contact block        | <b>XY2CJ, XY2CH:</b> Ui = 400 V degree of pollution 3 conforming to EN/IEC 60947-1, Ui = 300 V conforming to UL 508, CSA C22-2 no. 14                                                                                                                                                                                                                                                            |           |           |    |     |           |    |    |     |    |   |    |   |   |    |   |   |   |   |
| Rated impulse withstand voltage                                                           | 2-pole contact block        | <b>XY2CJ, XY2CH, XY2CE, XY2CED:</b> Uimp = 6 kV conforming to EN/IEC 60947-1                                                                                                                                                                                                                                                                                                                     |           |           |    |     |           |    |    |     |    |   |    |   |   |    |   |   |   |   |
|                                                                                           | 3-pole contact block        | <b>XY2CJ, XY2CH:</b> Uimp = 4 kV conforming to EN/IEC 60947-1                                                                                                                                                                                                                                                                                                                                    |           |           |    |     |           |    |    |     |    |   |    |   |   |    |   |   |   |   |
| Positive operation                                                                        |                             | NC contact with positive opening operation conforming to EN/IEC 60947-5-1 Section 3                                                                                                                                                                                                                                                                                                              |           |           |    |     |           |    |    |     |    |   |    |   |   |    |   |   |   |   |
| Resistance across terminals                                                               |                             | ≤ 25 mΩ conforming to NF C 93-050 method A or EN/IEC 60255-7 category 3                                                                                                                                                                                                                                                                                                                          |           |           |    |     |           |    |    |     |    |   |    |   |   |    |   |   |   |   |
| Terminal referencing                                                                      |                             | Conforming to GENELEC EN 50013                                                                                                                                                                                                                                                                                                                                                                   |           |           |    |     |           |    |    |     |    |   |    |   |   |    |   |   |   |   |
| Short-circuit protection                                                                  | 2-pole contact block        | <b>XY2CJ, XY2CH, XY2CE, XY2CED:</b> 10 A cartridge fuse type gG (gl) conforming to EN/IEC 60269                                                                                                                                                                                                                                                                                                  |           |           |    |     |           |    |    |     |    |   |    |   |   |    |   |   |   |   |
|                                                                                           | 3-pole contact block        | <b>XY2CJ, XY2CH:</b> 6 A cartridge fuse type gG (gl) conforming to EN/IEC 60269                                                                                                                                                                                                                                                                                                                  |           |           |    |     |           |    |    |     |    |   |    |   |   |    |   |   |   |   |
| Rated operational power (Electrical durability)                                           |                             | <b>XY2CJ, XY2CH, XY2CE, XY2CED</b><br>Conforming to EN/IEC 60947-5-1 Appendix C. Utilization categories AC-15 and DC-13<br>Frequency: 3,600 operating cycles/hour. Load factor: 0.5                                                                                                                                                                                                              |           |           |    |     |           |    |    |     |    |   |    |   |   |    |   |   |   |   |
| AC supply ~ 50/60 Hz<br>mm Inductive circuit                                              | <b>2-pole contact block</b> |                                                                                                                                                                                                                                                                                                                                                                                                  |           |           |    |     |           |    |    |     |    |   |    |   |   |    |   |   |   |   |
|                                                                                           | <b>3-pole contact block</b> |                                                                                                                                                                                                                                                                                                                                                                                                  |           |           |    |     |           |    |    |     |    |   |    |   |   |    |   |   |   |   |
| DC supply ---<br>Breaking current for 1 million operating cycles.<br>mm Inductive circuit |                             | <table border="1"> <thead> <tr> <th>Voltage V</th> <th>24</th> <th>48</th> <th>120</th> <th>Voltage V</th> <th>24</th> <th>48</th> <th>120</th> </tr> </thead> <tbody> <tr> <td>mm</td> <td>W</td> <td>13</td> <td>9</td> <td>7</td> <td>mm</td> <td>W</td> <td>4</td> <td>3</td> <td>2</td> </tr> </tbody> </table>                                                                             | Voltage V | 24        | 48 | 120 | Voltage V | 24 | 48 | 120 | mm | W | 13 | 9 | 7 | mm | W | 4 | 3 | 2 |
| Voltage V                                                                                 | 24                          | 48                                                                                                                                                                                                                                                                                                                                                                                               | 120       | Voltage V | 24 | 48  | 120       |    |    |     |    |   |    |   |   |    |   |   |   |   |
| mm                                                                                        | W                           | 13                                                                                                                                                                                                                                                                                                                                                                                               | 9         | 7         | mm | W   | 4         | 3  | 2  |     |    |   |    |   |   |    |   |   |   |   |
| Contact connection                                                                        |                             | Screw clamp terminals<br><b>2 contacts:</b> clamping capacity, min. 1 x 0.5 mm <sup>2</sup> /AWG 20, max. 2 x 1.5 mm <sup>2</sup> /AWG 16<br><b>3 contacts:</b> clamping capacity, min. 1 x 0.34 mm <sup>2</sup> /AWG 22, max. 1 x 1 mm <sup>2</sup> /AWG 18 or 2 x 0.75 mm <sup>2</sup> /AWG 20<br>Minimum tightening torque: 0.8 N.m/7.1 lb-in. Maximum tightening torque: 1.2 N.m/10.6 lb-in. |           |           |    |     |           |    |    |     |    |   |    |   |   |    |   |   |   |   |

# Safety detection solutions

## Emergency stop rope pull switches

### XY2CJ range

**Emergency stop rope pull switches with single anchor point ISO M20, Pg 13.5 and 1/2" NPT**  
Turnbuckle or quick tensioner, cable and end spring to be ordered separately (1)

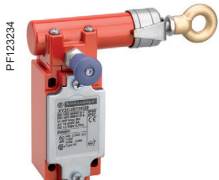
**Without pilot light**

| Cable length | Colors and materials | Reset | Supply voltage | Contact type | Cable anchor point | Reference | Weight kg |
|--------------|----------------------|-------|----------------|--------------|--------------------|-----------|-----------|
|--------------|----------------------|-------|----------------|--------------|--------------------|-----------|-----------|



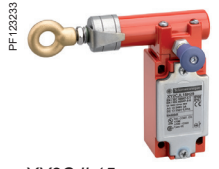
XY2CJS15

|        |                                                            |                |   |     |                        |                    |                         |       |
|--------|------------------------------------------------------------|----------------|---|-----|------------------------|--------------------|-------------------------|-------|
| ≤ 20 m | Polyamide head Zamak red RAL 3000 body Treated steel cover | By pull button | - | 1 1 | NC + NO slow break     | RH side or LH side | <b>XY2CJS15</b> (2)     | 0.455 |
|        |                                                            |                |   | 2 - | NC + NC slow break     | RH side or LH side | <b>XY2CJS17</b> (2)     | 0.455 |
|        |                                                            |                |   | 2 1 | 2 NC + 1 NO slow break | RH side or LH side | <b>XY2CJS19</b> (2) (3) | 0.455 |



XY2CJR15

|        |                                                      |                |   |     |                        |         |                         |       |
|--------|------------------------------------------------------|----------------|---|-----|------------------------|---------|-------------------------|-------|
| ≤ 30 m | Zamak red RAL 3000 head and body Treated steel cover | By pull button | - | 1 1 | NC + NO slow break     | RH side | <b>XY2CJR15</b> (2)     | 0.669 |
|        |                                                      |                |   | 2 - | NC + NC slow break     | RH side | <b>XY2CJR17</b> (2)     | 0.669 |
|        |                                                      |                |   | 2 1 | 2 NC + 1 NO slow break | RH side | <b>XY2CJR19</b> (2) (3) | 0.669 |



XY2CJL15

|  |  |  |  |     |                        |         |                         |       |
|--|--|--|--|-----|------------------------|---------|-------------------------|-------|
|  |  |  |  | 1 1 | NC + NO slow break     | LH side | <b>XY2CJL15</b> (2)     | 0.669 |
|  |  |  |  | 2 - | NC + NC slow break     | LH side | <b>XY2CJL17</b> (2)     | 0.669 |
|  |  |  |  | 2 1 | 2 NC + 1 NO slow break | LH side | <b>XY2CJL19</b> (2) (3) | 0.669 |

(1) See separate parts on page 12.  
 (2) For ISO M20 tapped cable entry version, add H29 to the end of the selected reference.  
 For example: XY2CJS15 becomes XY2CJS15H29.  
 (3) For 1/2" NPT tapped cable entry version, add H7 to the end of the selected reference.  
 For example: XY2CJS19 becomes XY2CJS19H7.

## Emergency stop rope pull switches with single anchor point ISO M20, Pg 13.5 and 1/2" NPT with integrated quick tensioner

Cable and end spring to be ordered separately (1)

## Without pilot light

| Cable length | Colors and materials                                                       | Reset                                        | Supply voltage | Contact type | Cable anchor point        | Reference             | Weight kg          |       |                    |       |
|--------------|----------------------------------------------------------------------------|----------------------------------------------|----------------|--------------|---------------------------|-----------------------|--------------------|-------|--------------------|-------|
| ≤ 30 m       | Zamak red<br>RAL 3000 body<br>Stainless steel cover<br>Chloroprene bellows | By flush pushbutton                          | –              | 1 1          | NC + NO<br>slow break     | RH side<br>or LH side | XY2CH13150 (4)     | 0.865 |                    |       |
|              |                                                                            | By booted pushbutton                         | –              | 1 1          |                           |                       |                    |       | XY2CH13250 (3) (4) | 0.865 |
|              |                                                                            | By mushroom head pushbutton                  | –              | 1 1          |                           |                       |                    |       | XY2CH13350 (4)     | 0.900 |
|              |                                                                            | By key-operated pushbutton (key no. 421) (2) | –              | 1 1          |                           |                       |                    |       | XY2CH13450 (3) (4) | 0.910 |
| ≤ 30 m       | Zamak red<br>RAL 3000 body<br>Stainless steel cover<br>Chloroprene bellows | By flush pushbutton                          | –              | 2 –          | NC + NC<br>slow break     | RH side<br>or LH side | XY2CH13170 (3) (4) | 0.865 |                    |       |
|              |                                                                            | By booted pushbutton                         | –              | 2 –          |                           |                       |                    |       | XY2CH13270 (3) (4) | 0.865 |
|              |                                                                            | By mushroom head pushbutton                  | –              | 2 –          |                           |                       |                    |       | XY2CH13370 (3)     | 0.865 |
|              |                                                                            | By key-operated pushbutton (key no. 421) (2) | –              | 2 –          |                           |                       |                    |       | XY2CH13470 (3) (4) | 0.910 |
| ≤ 30 m       | Zamak red<br>RAL 3000 body<br>Stainless steel cover<br>Chloroprene bellows | By flush pushbutton                          | –              | 2 1          | 2 NC + 1 NO<br>slow break | RH side<br>or LH side | XY2CH13190 (3) (4) | 0.865 |                    |       |
|              |                                                                            | By booted pushbutton                         | –              | 2 1          |                           |                       |                    |       | XY2CH13290 (3) (4) | 0.865 |
|              |                                                                            | By mushroom head pushbutton                  | –              | 2 1          |                           |                       |                    |       | XY2CH13390 (3) (4) | 0.865 |

## With orange pilot light (direct supply)

|        |                                                                   |                      |          |     |                       |                       |                |       |                           |                |       |
|--------|-------------------------------------------------------------------|----------------------|----------|-----|-----------------------|-----------------------|----------------|-------|---------------------------|----------------|-------|
| ≤ 30 m | Red RAL 3000 body<br>Stainless steel cover<br>Chloroprene bellows | By booted pushbutton | 24 V ~/– | 1 1 | NC + NO<br>slow break | RH side<br>or LH side | XY2CH13253 (3) | 0.900 |                           |                |       |
|        |                                                                   |                      |          | 2 – |                       |                       |                |       | NC + NC<br>slow break     | XY2CH13273     | 0.900 |
|        |                                                                   |                      |          | 2 1 |                       |                       |                |       | 2 NC + 1 NO<br>slow break | XY2CH13293 (3) | 0.950 |

## Other versions

Versions with silicon bellows  
Please contact our Customer Care Center.

(1) See separate parts on page 12.

(2) Ø 30 spring return key-operated mushroom head pushbutton.

(3) For ISO M20 tapped cable entry version, add H29 to the end of the selected reference.

For example: XY2CH13250 becomes XY2CH13250H29.

(4) For 1/2" NPT tapped cable entry version, add H7 to the end of the selected reference.

For example: XY2CH13190 becomes XY2CH13190H7.



XY2CH13250



XY2CH13450



XY2CH13170



XY2CH13253

# Safety detection solutions

## Emergency stop rope pull switches

### XY2CE range

#### Emergency stop rope pull switches with single anchor point ISO M20 or Pg 13.5 (1) and 1/2" NPT (2)

Turnbuckle or quick tensioner, cable, and end spring to be ordered separately (3)

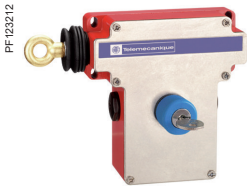
| Without pilot light |                      |       |                |              |                    |           |           |
|---------------------|----------------------|-------|----------------|--------------|--------------------|-----------|-----------|
| Cable length        | Colors and materials | Reset | Supply voltage | Contact type | Cable anchor point | Reference | Weight kg |



XY2CE2A250



XY2CE1A450



XY2CE2A450



XY2CE2A296



XY2CE1A296H7



Emergency stop rope pull switch with window for viewing the cable tension

|        |                                                                        |                             |   |     |                    |         |                |       |
|--------|------------------------------------------------------------------------|-----------------------------|---|-----|--------------------|---------|----------------|-------|
| ≤ 70 m | Zamak red<br>RAL 3000 body<br>Stainless steel cover<br>Nitrile bellows | By flush pushbutton         | – | 1 1 | NC + NO slow break | RH side | XY2CE1A150 (2) | 1.450 |
|        |                                                                        |                             |   |     |                    | LH side | XY2CE2A150 (2) | 1.450 |
|        |                                                                        | By booted pushbutton        | – | 1 1 | NC + NO slow break | RH side | XY2CE1A250 (2) | 1.450 |
|        |                                                                        |                             |   |     |                    | LH side | XY2CE2A250 (2) | 1.450 |
|        |                                                                        |                             |   | 2 – | NC + NC slow break | RH side | XY2CE1A270 (2) | 1.450 |
|        |                                                                        |                             |   |     |                    | LH side | XY2CE2A270 (2) | 1.450 |
|        |                                                                        |                             |   | 2 2 | NC + NO slow break | RH side | XY2CE1A290 (2) | 1.450 |
|        |                                                                        |                             |   |     |                    | LH side | XY2CE2A290 (2) | 1.450 |
|        |                                                                        | By key switch (key no. 421) | – | 1 1 | NC + NO slow break | RH side | XY2CE1A450     | 1.465 |
|        |                                                                        |                             |   |     |                    | LH side | XY2CE2A450 (2) | 1.465 |
|        |                                                                        |                             |   | 2 – | NC + NC slow break | RH side | XY2CE1A470     | 1.470 |
|        |                                                                        |                             |   |     |                    | LH side | XY2CE2A470     | 1.470 |

#### With yellow LED pilot light (direct supply)

|        |                                                                        |                      |                 |     |                    |         |                |       |
|--------|------------------------------------------------------------------------|----------------------|-----------------|-----|--------------------|---------|----------------|-------|
| ≤ 70 m | Zamak red<br>RAL 3000 body<br>Stainless steel cover<br>Nitrile bellows | By booted pushbutton | 24 to 130 V ~/- | 2 2 | NC + NO slow break | RH side | XY2CE1A296 (2) | 1.470 |
|        |                                                                        |                      |                 |     |                    | LH side | XY2CE2A296 (2) | 1.470 |
|        |                                                                        |                      | 230 to 240 V ~  | 2 2 | NC + NO slow break | RH side | XY2CE1A297 (2) | 1.470 |
|        |                                                                        |                      |                 |     |                    | LH side | XY2CE2A297 (2) | 1.470 |

#### Other versions

- ATEX versions
  - Versions with low tripping force (< 125 N). Rope pull tripping deflection < 300 mm
  - Versions with reset by Ø 30 mm mushroom head pushbutton
  - Versions with cable tension viewing window for adjustment when the cover is closed
  - Versions with silicon bellows
- Please contact our Customer Care Center.

(1) With untapped entries for ISO M20 or Pg 13.5 cable gland.

(2) For 1/2" NPT tapped cable entry version, add H7 to the end of the selected reference (for these versions, the pilot light is red). For example: XY2CE1A250 becomes XY2CE1A250H7.

(3) See separate parts on page 12.

# Safety detection solutions

## Emergency stop rope pull switches

### XY2CED range

PF123244



XY2CEDA190

PF123247



XY2CEDA290

PF123250



XY2CEDA590

PF123245

XY2CEDA196  
XY2CEDA197

PF123248

XY2CEDA296  
XY2CEDA297

PF123252



XY2CEDA296H7

### Emergency stop rope pull switches with double anchor point ISO M20 or Pg 13.5 and 1/2" NPT

Turnbuckle or quick tensioner and cable to be ordered separately (1)

#### Without pilot light

| Cable length                                                                                                                                                                      | Colors and materials                                                      | Reset                                          | Supply voltage | Contact type              | Reference (2)  | Weight kg |
|-----------------------------------------------------------------------------------------------------------------------------------------------------------------------------------|---------------------------------------------------------------------------|------------------------------------------------|----------------|---------------------------|----------------|-----------|
| $L \geq 2 \times 35 \text{ m}$<br>$L \leq 2 \times 70 \text{ m}$<br>$(L \geq 2 \times 35 \text{ m}$<br>$L \leq 2 \times 100 \text{ m}$<br>with pulleys<br>and pulley<br>supports) | Zamak red<br>RAL 3000 body<br>Stainless steel<br>cover<br>Nitrile bellows | By flush<br>pushbutton                         | —              | 2 2 NC + NO<br>slow break | XY2CEDA190 (3) | 1.900     |
|                                                                                                                                                                                   |                                                                           | By booted<br>pushbutton                        | —              | 2 2 NC + NO<br>slow break | XY2CEDA290 (3) | 1.900     |
|                                                                                                                                                                                   |                                                                           | By key-operated<br>pushbutton (key<br>no. 455) | —              | 2 2 NC + NO<br>slow break | XY2CEDA590     | 1.900     |
|                                                                                                                                                                                   | Zamak red<br>RAL 3000 body<br>Stainless steel<br>cover<br>Silicon bellows | By flush<br>pushbutton                         | —              | 2 2 NC + NO<br>slow break | XY2CEDC190     | 1.900     |
|                                                                                                                                                                                   |                                                                           | By booted<br>pushbutton                        | —              | 2 2 NC + NO<br>slow break | XY2CEDC290     | 1.900     |
|                                                                                                                                                                                   |                                                                           | By key-operated<br>pushbutton<br>(key no. 455) | —              | 2 2 NC + NO<br>slow break | XY2CEDC590     | 1.900     |

#### With yellow LED pilot light (direct supply)

|                                                                                                                                                                                   |                                                                           |                                                |                                                |                           |                |       |
|-----------------------------------------------------------------------------------------------------------------------------------------------------------------------------------|---------------------------------------------------------------------------|------------------------------------------------|------------------------------------------------|---------------------------|----------------|-------|
| $L \geq 2 \times 35 \text{ m}$<br>$L \leq 2 \times 70 \text{ m}$<br>$(L \geq 2 \times 35 \text{ m}$<br>$L \leq 2 \times 100 \text{ m}$<br>with pulleys<br>and pulley<br>supports) | Zamak red<br>RAL 3000 body<br>Stainless steel<br>cover<br>Nitrile bellows | By flush<br>pushbutton                         | $\sim/\text{---} 24 \text{ to } 130 \text{ V}$ | 2 2 NC + NO<br>slow break | XY2CEDA196 (3) | 1.900 |
|                                                                                                                                                                                   |                                                                           |                                                | $\sim 230 \text{ to } 240 \text{ V}$           | 2 2 NC + NO<br>slow break | XY2CEDA197     | 1.900 |
|                                                                                                                                                                                   |                                                                           | By booted<br>pushbutton                        | $\sim/\text{---} 24 \text{ to } 130 \text{ V}$ | 2 2 NC + NO<br>slow break | XY2CEDA296 (3) | 1.900 |
|                                                                                                                                                                                   |                                                                           |                                                | $\sim 230 \text{ to } 240 \text{ V}$           | 2 2 NC + NO<br>slow break | XY2CEDA297     | 1.900 |
|                                                                                                                                                                                   |                                                                           | By key-operated<br>pushbutton<br>(key no. 455) | $\sim/\text{---} 24 \text{ to } 130 \text{ V}$ | 2 2 NC + NO<br>slow break | XY2CEDA596 (3) | 1.900 |
|                                                                                                                                                                                   |                                                                           |                                                | $\sim 230 \text{ to } 240 \text{ V}$           | 2 2 NC + NO<br>slow break | XY2CEDA597     | 1.900 |
|                                                                                                                                                                                   | Zamak red<br>RAL 3000 body<br>Stainless steel<br>cover<br>Silicon bellows | By flush<br>pushbutton                         | $\sim/\text{---} 24 \text{ to } 130 \text{ V}$ | 2 2 NC + NO<br>slow break | XY2CEDC296     | 1.900 |
|                                                                                                                                                                                   |                                                                           |                                                | $\sim 230 \text{ to } 240 \text{ V}$           | 2 2 NC + NO<br>slow break | XY2CEDC297     | 1.900 |

#### Other versions

- ATEX versions.
- Versions with low tripping force (< 125 N)  
Rope pull tripping deflection < 300 mm. Maximum cable length: 2 x 50 m.  
Minimum cable length: 2 x 3.6 m.

Contact our Customer Care Center.

(1) See separate parts on page 12.

(2) XY2CED emergency stop rope pull switches are supplied with an adjustment shim XY2CZ713 and 2 end springs XY2CZ712.  
 (3) For 1/2" NPT tapped cable entry version, add H7 to the end of the selected reference (for these versions, the pilot light is red).  
 For example: XY2CEDA190 becomes XY2CEDA190H7.

# Safety detection solutions

## Emergency stop rope pull switches

### XY2C range

XY2C\_020\_CP00A02010018



XY2CZ30●●

#### Separate parts

| Description                       | Diameter mm | For use with    | Length m | Reference        | Weight kg |       |
|-----------------------------------|-------------|-----------------|----------|------------------|-----------|-------|
| Galvanized cables with red sheath | 3.2         | XY2CJ and XY2CH | 10.5     | XY2CZ301         | 0.280     |       |
|                                   |             |                 | 15.5     | XY2CZ3015        | 0.410     |       |
|                                   |             |                 | 20.5     | XY2CZ3020        | 0.550     |       |
|                                   |             |                 | 25.5     | XY2CZ302         | 0.690     |       |
|                                   |             |                 | 30.5     | XY2CZ303         | 0.830     |       |
|                                   | 5           | XY2CE           | 15.5     | XY2CZ1015        | 0.850     |       |
|                                   |             |                 | 25.5     | XY2CZ102         | 1.400     |       |
|                                   |             |                 | 50.5     | XY2CE and XY2CED | XY2CZ105  | 2.750 |
|                                   |             |                 |          |                  | XY2CZ107  | 3.870 |
|                                   |             |                 | 100.5    | XY2CZ110         | 5.520     |       |

PF123239



XY2CZ210  
XY2CZ213

| Description                      | Type               | For use with               | Unit reference | Weight kg |
|----------------------------------|--------------------|----------------------------|----------------|-----------|
| Quick tensioner                  | -                  | XY2CJ                      | XY2CZ210       | 0.051     |
|                                  |                    | XY2CE and XY2CED           | XY2CZ213       | 0.090     |
| Shim for adjusting cable tension | -                  | XY2CED                     | XY2CZ713 (1)   | 0.010     |
| Turnbuckle                       | M6 x 60 + locknut  | XY2CJ                      | XY2CZ402       | 0.060     |
|                                  |                    | XY2CE, XY2CH and XY2CJ (2) | XY2CZ404       | 0.100     |
| Set of 2 turnbuckles             | M8 x 180 + locknut | XY2CED                     | XY2CZ403       | 0.180     |

PF123260



XY2CZ713

PF123259



XY2CZ402  
XY2CZ403  
XY2CZ404

(1) An adjustment shim XY2CZ713 and 2 end springs XY2CZ712 are supplied with XY2CED switches.  
 (2) XY2CH13●●● and XY2CH14●●● emergency stop rope pull switches incorporate a quick cable tensioner as standard. Therefore, there is no need to order a turnbuckle.



XY2C\_620\_CP0DA2016006

XY2CZ503  
XY2CZ513

XY2C\_620\_CP0DA2016007

XY2CZ523



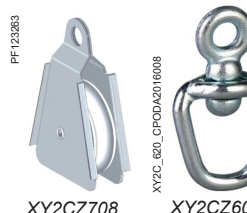
PF123265

XY2CZ705



PF123264

XY2CZ601



PF123263

XY2CZ708



XY2C\_620\_CP0DA2016008

XY2CZ602



XY2C\_620\_CP0DA2016004

XY2CZ701



PF123268

XY2CZ703



PF123266

XY2CZ702



PF123269

XY2CZ712

## Separate parts (continued)

| Description                    | Type              | For use with    | Unit reference | Weight kg |
|--------------------------------|-------------------|-----------------|----------------|-----------|
| Set of 10 cable grips          | Single            | Cable Ø 3.2 mm  | XY2CZ503       | 0.007     |
|                                | Double            | Cable Ø 3.2 mm  | XY2CZ513       | 0.016     |
|                                | Clamp             | Cable Ø 3.2 mm  | XY2CZ523       | 0.050     |
| Cable support                  | Fixed             | Cable Ø 5 mm    | XY2CZ524       | 0.080     |
|                                |                   | All models      | XY2CZ601       | 0.030     |
| Set of 10 cable supports       | Fixed             | All models      | XY2CZ611       | 0.032     |
| Swiveling                      | –                 | All models      | XY2CZ602       | 0.130     |
| Pulley support                 | –                 | All models      | XY2CZ705       | 0.060     |
| Set of 10 pulley supports      | –                 | All models      | XY2CZ715       | 0.650     |
| Pulley                         | Cable Ø 5 mm max. | All models      | XY2CZ708       | 0.056     |
| Set of 10 pulleys              | Cable Ø 5 mm max. | All models      | XY2CZ718       | 0.550     |
| Set of 10 cable end protectors | –                 | Cable Ø 3.2 mm  | XY2CZ701       | 0.002     |
|                                |                   | Cable Ø 5 mm    | XY2CZ704       | 0.010     |
| End spring                     | –                 | XY2CJ and XY2CH | XY2CZ703       | 0.035     |
|                                |                   | XY2CE           | XY2CZ702       | 0.080     |
| Set of 2 end springs           | –                 | XY2CED          | XY2CZ712 (1)   | 0.220     |

(1) An adjustment shim XY2CZ713 and 2 end springs XY2CZ712 are supplied with XY2CED switches.



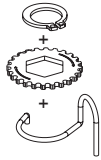
# Safety detection solutions

## Emergency stop rope pull switches

### XY2C range

| Mounting kits                                                                                                                                                                      |                    |                |              |                   |        |
|------------------------------------------------------------------------------------------------------------------------------------------------------------------------------------|--------------------|----------------|--------------|-------------------|--------|
| Kit contents                                                                                                                                                                       | For use with       | Cable diameter | Cable length | Reference         | Weight |
|                                                                                                                                                                                    |                    | mm             | m            |                   |        |
| 1 spring + 1 notched washer<br>+ 1 circlip                                                                                                                                         | XY2CH              | –              | –            | <b>XY2CZ918</b>   | 0.010  |
| 1 galvanized cable<br>+ 1 clamp cable grip<br>+ 1 end spring <b>XY2CZ703</b>                                                                                                       | XY2CJ<br>and XY2CH | 3.2            | 10.5         | <b>XY2CZ9310</b>  | 0.444  |
|                                                                                                                                                                                    |                    |                | 15.5         | <b>XY2CZ9315</b>  | 0.581  |
|                                                                                                                                                                                    |                    |                | 20.5         | <b>XY2CZ9320</b>  | 0.635  |
|                                                                                                                                                                                    |                    |                | 30.5         | <b>XY2CZ9330</b>  | 1.055  |
| 1 galvanized cable<br>+ 1 clamp cable grip<br>+ 1 tensioner <b>XY2CZ210</b><br>+ 12 cable supports <b>XY2CZ601</b><br>+ 1 end spring <b>XY2CZ703</b>                               | XY2CJ              | 3.2            | 30.5         | <b>XY2CZ9425</b>  | 2.045  |
| 1 galvanized cable<br>+ 4 clamp cable grips<br>+ 1 turnbuckle <b>XY2CZ404</b><br>+ 11 cable supports <b>XY2CZ601</b><br>+ 2 cable end protectors<br>+ 1 end spring <b>XY2CZ702</b> | XY2CE              | 5              | 25.5         | <b>XY2CZ9525</b>  | 1.853  |
| 1 galvanized cable<br>+ 4 clamp cable grips<br>+ 1 turnbuckle <b>XY2CZ404</b><br>+ 19 cable supports <b>XY2CZ601</b><br>+ 2 cable end protectors<br>+ 1 end spring <b>XY2CZ702</b> | XY2CE              | 5              | 50.5         | <b>XY2CZ9550</b>  | 3.240  |
| 1 galvanized cable<br>+ 4 clamp cable grips<br>+ 1 turnbuckle <b>XY2CZ404</b><br>+ 26 cable supports <b>XY2CZ601</b><br>+ 2 cable end protectors<br>+ 1 end spring <b>XY2CZ702</b> | XY2CE              | 5              | 70.5         | <b>XY2CZ9570</b>  | 4.426  |
| 2 galvanized cables<br>+ 2 clamp cable grips<br>+ 2 quick tensioners <b>XY2CZ213</b>                                                                                               | XY2CED             | 5              | 2 x 50.5     | <b>XY2CZ96100</b> | 5.910  |
| 2 galvanized cables<br>+ 2 clamp cable grips<br>+ 2 quick tensioners <b>XY2CZ213</b>                                                                                               | XY2CED             | 5              | 2 x 70.5     | <b>XY2CZ96140</b> | 8.080  |
| 2 galvanized cables<br>+ 2 clamp cable grips<br>+ 2 quick tensioners <b>XY2CZ213</b>                                                                                               | XY2CED             | 5              | 2 x 100.5    | <b>XY2CZ96200</b> | 11.340 |

DF601301



XY2CZ918

PF123261

XY2CZ96140  
XY2CZ96200



# Safety detection solutions

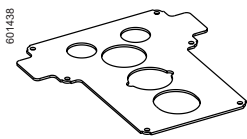
## Emergency stop rope pull switches

### XY2C range

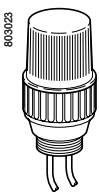
#### Replacement parts

| Description                              | For use with                                | Type                          | Reference            | Weight kg      |           |       |
|------------------------------------------|---------------------------------------------|-------------------------------|----------------------|----------------|-----------|-------|
| Reset pushbutton (blue), spring return   | XY2CE and XY2CED                            | Flush with "R" marked on push | ZB5AA639             | 0.018          |           |       |
|                                          |                                             | Booted                        | ZB5AP6S              | 0.019          |           |       |
|                                          |                                             | Mushroom head Ø 30            | ZB5AC64              | 0.027          |           |       |
| Key switch                               | XY2CE and XY2CED                            | With key no. 421              | ZB5AG612R26          | 0.064          |           |       |
|                                          |                                             | With key no. 455              | ZB5AG6R26            | 0.064          |           |       |
| Keys for reset button                    | XY2CH, XY2CE and XY2CED                     | No. 421                       | Q99900911            | 0.006          |           |       |
|                                          |                                             | No. 455                       | Q99900901            | 0.006          |           |       |
| Pilot light head assemblies              | XY2CE and XY2CED                            | Red                           | XY2CZ800             | 0.015          |           |       |
|                                          |                                             | Orange                        | XY2CZ801             | 0.015          |           |       |
| Set of 5 cover gaskets                   | XY2CE and XY2CED                            | –                             | XY2CZ805             | 0.122          |           |       |
| Fixing nut, plastic, gray                | XY2CE and XY2CED                            | –                             | ZB5AZ901             | 0.002          |           |       |
| Fixing nut tightening key, plastic, gray | XY2CE and XY2CED<br>For fixing nut ZB5AZ901 | –                             | ZB5AZ905             | 0.016          |           |       |
| Description                              | For use with                                | Voltage                       | Order in multiple of | Unit reference | Weight kg |       |
| Pilot light with bulb DL1AA●●● included  | XY2CH<br>Color: orange                      | 24 V ~/-                      | –                    | XY2CZ0024 (1)  | 0.035     |       |
|                                          |                                             | 130 V ~/-                     | –                    | XY2CZ0130 (1)  | 0.035     |       |
|                                          |                                             | 230 V ~/-                     | –                    | XY2CZ0230 (1)  | 0.035     |       |
| Power LED                                | XY2CE and XY2CED<br>Color: red              | 24 V ~/-                      | 5                    | ZALVB4         | 0.015     |       |
|                                          |                                             | 48 to 120 V ~                 | 5                    | ZALVG4         | 0.015     |       |
|                                          |                                             | 230 to 240 V ~                | 5                    | ZALVM4         | 0.015     |       |
|                                          | XY2CE and XY2CED<br>Color: yellow           | 24 V ~/-                      | 5                    | ZALVB5         | 0.015     |       |
|                                          |                                             | 48 to 120 V ~                 | 5                    | ZALVG5         | 0.015     |       |
|                                          |                                             | 230 to 240 V ~                | 5                    | ZALVM5         | 0.015     |       |
|                                          | Incandescent bulb, screw base fitting       | XY2CH                         | 24 V - 6 W           | 10             | DL1AA024  | 0.004 |
|                                          |                                             |                               | 130 V - 6 W          | 10             | DL1AA127  | 0.004 |
|                                          |                                             |                               | 230 V - 6 W          | 10             | DL1AA220  | 0.004 |

(1) Only for use as replacement parts on switches pre-equipped with pilot lights. CCC approval no longer applies if an XY2CZ●●● pilot light is mounted on XY2CH switches.



XY2CZ805



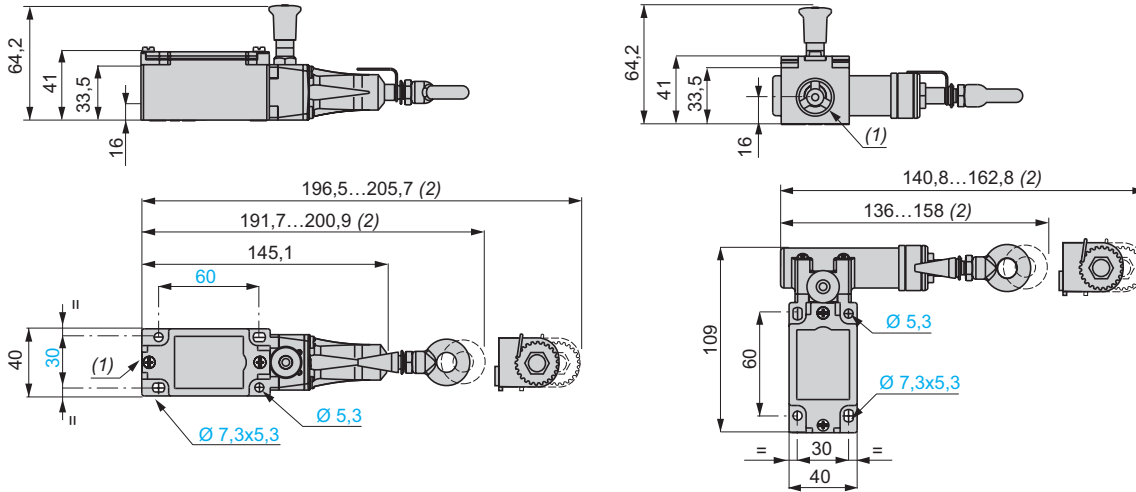
XY2CZ●●●

#### Emergency stop rope pull switches with single anchor point

##### XY2CJ

##### XY2CJS●●

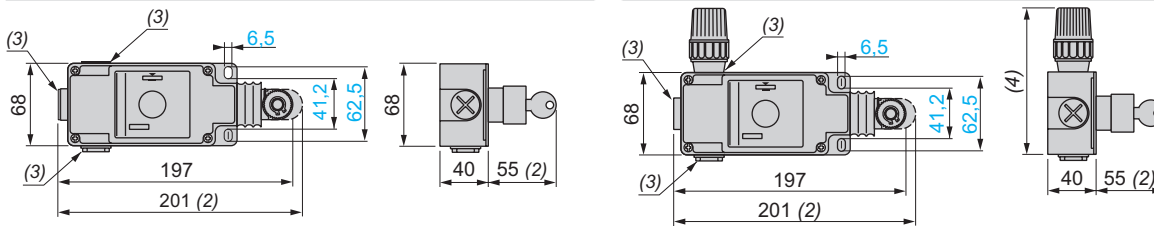
XY2CJR●● and XY2CJL●● (same dimensions with anchor point on RH side or LH side)



##### XY2CH

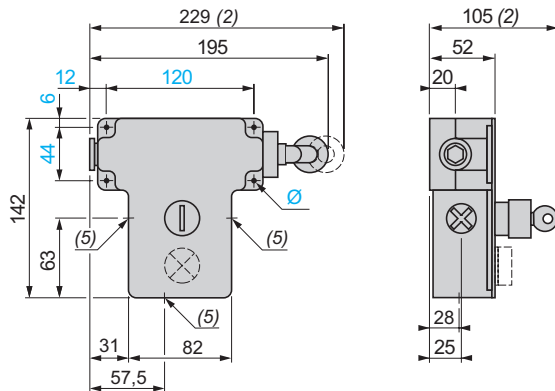
##### Without pilot light

##### With pilot light



##### XY2CE

XY2CE1A●●● and XY2CE2A●●● (same dimensions with anchor point on RH side or LH side)



(1) Tapped entries for no. 13 cable gland (Pg 13.5). For ISO M20, the reference becomes XY2CJ●●●H29. For 1/2" NPT, the reference becomes XY2CJ●●●H7.

(2) Maximum extension.

(3) Tapped entries for no. 13 cable gland (Pg 13.5). For ISO M20, the reference becomes XY2CH●●●H29. For 1/2" NPT, the reference becomes XY2CH●●●H7.

(4) 121 mm: 24 V and 48 V versions. 131 mm: 130 V and 230 V versions.

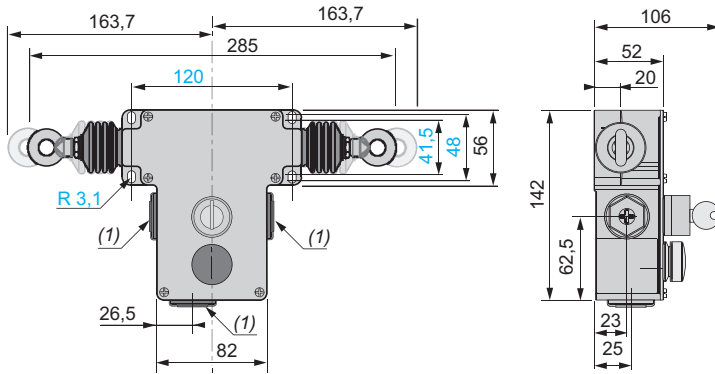
(5) 3 untapped holes for no. 13 (Pg 13.5) or ISO M20 cable gland. For 1/2" NPT, the reference becomes XY2CE●●●H7 or XY2CED●●●H7.

Ø: 4 elongated holes Ø 6 mm.

### Emergency stop rope pull switches with double anchor point

XY2CED

XY2CEDA●●● and XY2CEDC●●●

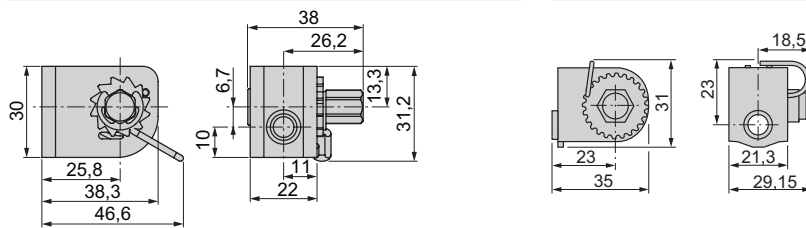


### Accessories

#### Quick tensioners

XY2CZ213

XY2CZ210

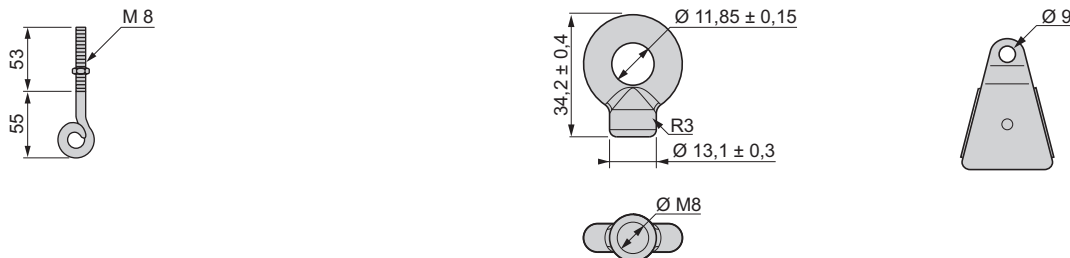


#### Cable and pulley supports

XY2CZ705

XY2CZ601

XY2CZ708



(1) 3 untapped holes for no. 13 (Pg 13.5) or ISO M20 cable gland. For 1/2" NPT, the reference becomes XY2CE●●●H7 or XY2CED●●●H7.

|            |    |             |    |
|------------|----|-------------|----|
| <b>D</b>   |    | XY2CZ105    | 12 |
| DL1AA024   | 15 | XY2CZ107    | 12 |
| DL1AA127   | 15 | XY2CZ110    | 12 |
| DL1AA220   | 15 | XY2CZ0130   | 15 |
| <b>Q</b>   |    | XY2CZ210    | 12 |
| Q99900901  | 15 | XY2CZ213    | 12 |
| Q99900911  | 15 | XY2CZ0230   | 15 |
| <b>X</b>   |    | XY2CZ301    | 12 |
| XY2CE1A150 | 10 | XY2CZ302    | 12 |
| XY2CE1A250 | 10 | XY2CZ303    | 12 |
| XY2CE1A270 | 10 | XY2CZ402    | 12 |
| XY2CE1A290 | 10 | XY2CZ403    | 12 |
| XY2CE1A296 | 10 | XY2CZ404    | 12 |
| XY2CE1A297 | 10 | XY2CZ503    | 13 |
| XY2CE1A450 | 10 | XY2CZ513    | 13 |
| XY2CE1A470 | 10 | XY2CZ523    | 13 |
| XY2CE2A150 | 10 | XY2CZ524    | 13 |
| XY2CE2A250 | 10 | XY2CZ601    | 13 |
| XY2CE2A270 | 10 | XY2CZ602    | 13 |
| XY2CE2A290 | 10 | XY2CZ611    | 13 |
| XY2CE2A296 | 10 | XY2CZ701    | 13 |
| XY2CE2A297 | 10 | XY2CZ702    | 13 |
| XY2CE2A450 | 10 | XY2CZ703    | 13 |
| XY2CE2A470 | 10 | XY2CZ704    | 13 |
| XY2CEDA190 | 11 | XY2CZ705    | 13 |
| XY2CEDA196 | 11 | XY2CZ708    | 13 |
| XY2CEDA197 | 11 | XY2CZ712    | 13 |
| XY2CEDA290 | 11 | XY2CZ713    | 12 |
| XY2CEDA296 | 11 | XY2CZ715    | 13 |
| XY2CEDA297 | 11 | XY2CZ718    | 13 |
| XY2CEDA590 | 11 | XY2CZ800    | 15 |
| XY2CEDA596 | 11 | XY2CZ801    | 15 |
| XY2CEDA597 | 11 | XY2CZ805    | 15 |
| XY2CEDC190 | 11 | XY2CZ918    | 14 |
| XY2CEDC290 | 11 | XY2CZ1015   | 12 |
| XY2CEDC296 | 11 | XY2CZ3015   | 12 |
| XY2CEDC297 | 11 | XY2CZ3020   | 12 |
| XY2CEDC590 | 11 | XY2CZ9310   | 14 |
| XY2CH13150 | 9  | XY2CZ9315   | 14 |
| XY2CH13170 | 9  | XY2CZ9320   | 14 |
| XY2CH13190 | 9  | XY2CZ9330   | 14 |
| XY2CH13250 | 9  | XY2CZ9425   | 14 |
| XY2CH13253 | 9  | XY2CZ9525   | 14 |
| XY2CH13270 | 9  | XY2CZ9550   | 14 |
| XY2CH13273 | 9  | XY2CZ9570   | 14 |
| XY2CH13290 | 9  | XY2CZ96100  | 14 |
| XY2CH13293 | 9  | XY2CZ96140  | 14 |
| XY2CH13350 | 9  | XY2CZ96200  | 14 |
| XY2CH13370 | 9  | <b>Z</b>    |    |
| XY2CH13390 | 9  | ZALVB4      | 15 |
| XY2CH13450 | 9  | ZALVB5      | 15 |
| XY2CH13470 | 9  | ZALVG4      | 15 |
| XY2CJL15   | 8  | ZALVG5      | 15 |
| XY2CJL17   | 8  | ZALVM4      | 15 |
| XY2CJL19   | 8  | ZALVM5      | 15 |
| XY2CJR15   | 8  | ZB5AA639    | 15 |
| XY2CJR17   | 8  | ZB5AC64     | 15 |
| XY2CJR19   | 8  | ZB5AG6R26   | 15 |
| XY2CJS15   | 8  | ZB5AG612R26 | 15 |
| XY2CJS17   | 8  | ZB5AP6S     | 15 |
| XY2CJS19   | 8  | ZB5AZ901    | 15 |
| XY2CZ0024  | 15 | ZB5AZ905    | 15 |
| XY2CZ102   | 12 |             |    |



**Schneider Electric Industries SAS**

Head Office  
35, rue Joseph Monier  
F-92500 Rueil-Malmaison  
France

[www.tesensors.com](http://www.tesensors.com)

The information provided in this documentation contains general descriptions and/or technical characteristics of the performance of the products contained herein. This documentation is not intended as a substitute for and is not to be used for determining suitability or reliability of these products for specific user applications. It is the duty of any such user or integrator to perform the appropriate and complete risk analysis, evaluation and testing of the products with respect to the relevant specific application or use thereof. Neither Schneider Electric nor any of its affiliates or subsidiaries shall be responsible or liable for misuse of the information contained herein.

Design: Schneider Electric  
Photos: Schneider Electric

February 2020 - V5.0

DIA4ED2161201EN